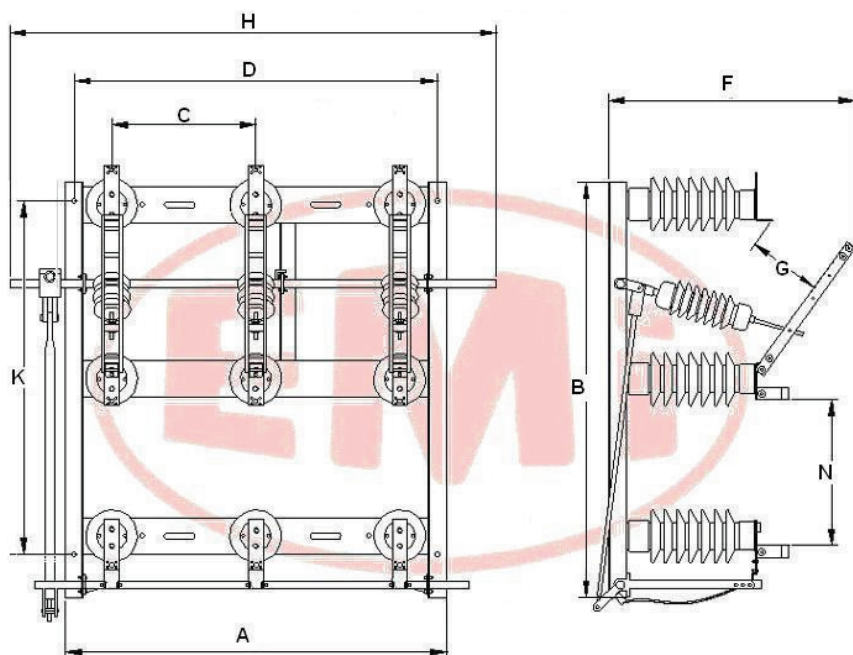




Medium Voltage Outdoor Switch Disconnectors



TYPE	Rated Voltage (kV)	Rated Current (A)	A	B	C	D	F	G	H	K	N
Outdoor Normal (HNA)	12	630A	1080	690	400	1020	680	265	1280	470	--
	17,5 – 24		1220	790	490	1160	1030	430	1280	570	--
	36		1220	790	490	1160	1030	430	1280	570	--
Outdoor Earthing (HTA)	12	630A	1080	790	400	1020	680	265	1280	570	--
	17,5 – 24		1220	900	490	1160	1030	430	1280	680	--
	36		1220	900	490	1160	1030	430	1280	680	--
Outdoor Fuse (HSA)	12	630A	1080	1095	400	1020	680	265	1280	875	296
	17,5 – 24		1220	1360	490	1160	1030	430	1280	1140	546
	36		1220	1360	490	1160	1030	430	1280	1140	546
Outdoor Fuse Earthing (HSTA)	12	630A	1080	1195	400	1020	680	265	1280	975	296
	17,5 – 24		1220	1470	490	1160	1030	430	1280	1250	546
	36		1220	1470	490	1160	1030	430	1280	1250	546

GENERAL INFORMATION

Medium voltage outdoor disconnectors are manufactured by using high quality materials and provide a safe area to work. For the best volution of main and earthing shafts; the shaft bearings are produced of brass. Using brass also prevents molding. Shafts, frames, joints, control mechanism, pipetongs and shaft couplings of the disconnectors are hot-dip galvanized. Other hardware materials of the product are zinc and cadmium plated.

20mm/kV porcelain insulators are used for the disconnectors. All coper terminals and surface of copper handles that touch the terminals are electro-silver plated. Double coil springs are used in order to ensure that copper handles touch terminals properly.

MV Disconnectors should be used only for switching on and off unloaded circuits. It is extremely dangerous to switch it on/off under electric load. Disconnectors are packed with control mechanism, joints, pipetongs, shaft couplings. To ensure product safety, wooden packages are used for delivery.

Our disconnectors are certified by TSE, TSEK standards and tested in CESI laboratories. The products are manufactured under the guarantee of ISO-9001:2008 and also suitable for specification of electric companies.